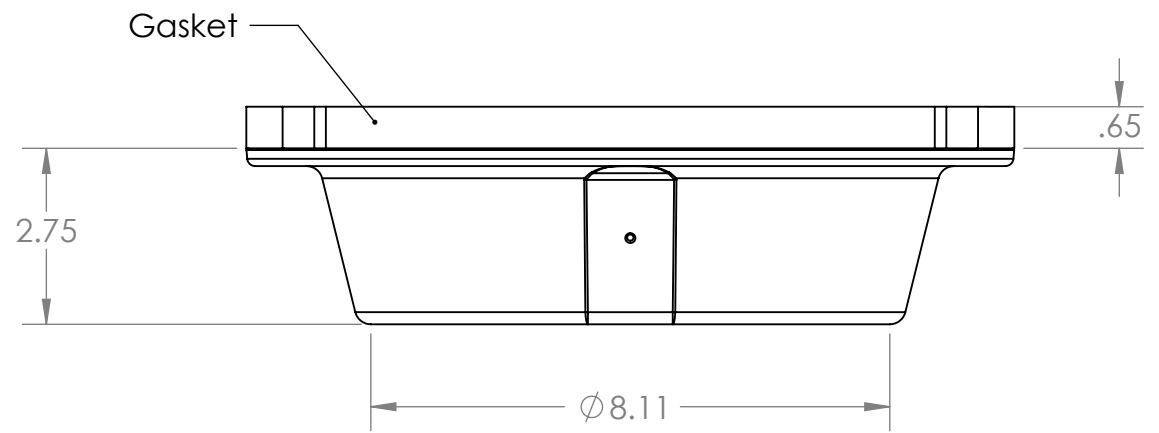
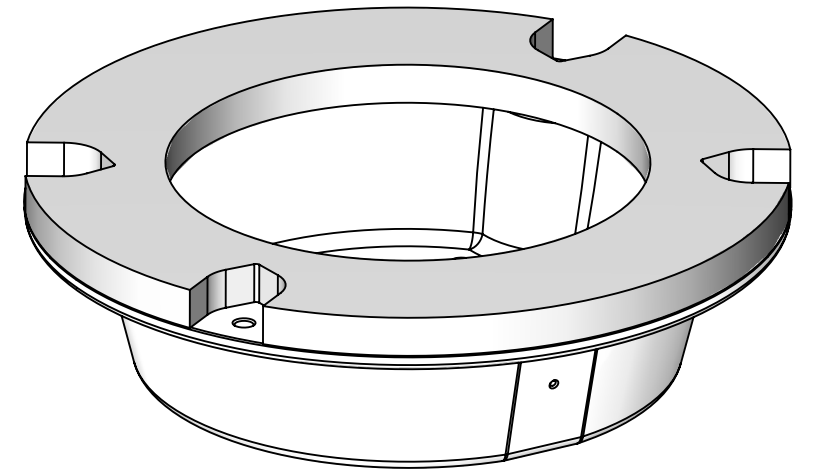
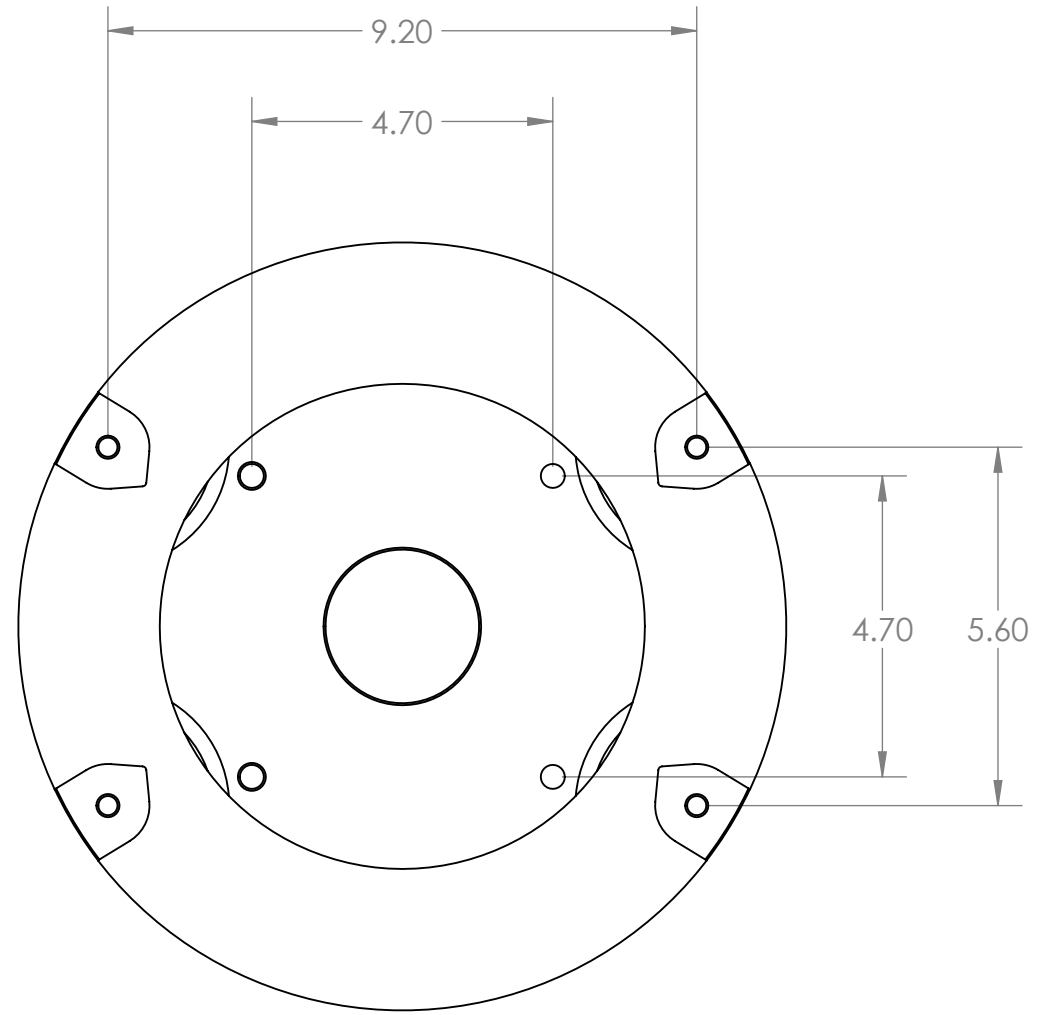


8 7 6 5 4 3 2 1

D
C
B
A



PROPRIETARY AND CONFIDENTIAL
THE INFORMATION CONTAINED IN THIS DRAWING IS THE SOLE PROPERTY OF <INSERT COMPANY NAME HERE>. ANY REPRODUCTION IN PART OR AS A WHOLE WITHOUT THE WRITTEN PERMISSION OF <INSERT COMPANY NAME HERE> IS PROHIBITED.

		UNLESS OTHERWISE SPECIFIED:		NAME	DATE	PYI Inc.	
		DIMENSIONS ARE IN INCHES		DRAWN		TITLE:	
		TOLERANCES:		CHECKED		Arch adapter	
		FRACTIONAL ±		ENG APPR.		for 15" Satdomes	
		ANGULAR: MACH ± BEND ±		MFG APPR.		SIZE	DWG. NO.
		TWO PLACE DECIMAL ±		Q.A.		B	AMA-16
		THREE PLACE DECIMAL ±		COMMENTS:		REV	
		INTERPRET GEOMETRIC TOLERANCING PER:					
		MATERIAL					
NEXT ASSY	USED ON	FINISH					
APPLICATION		DO NOT SCALE DRAWING		SCALE: 1:3 WEIGHT: SHEET 1 OF 1			

8 7 6 5 4 3 2 1